



High-frequency transformer

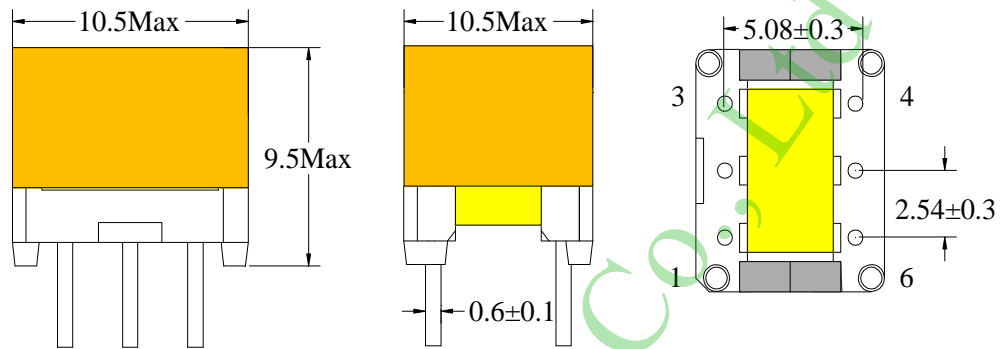
EP7 Series

Parameters/Dimensions:

EP7 Type 1

Information:

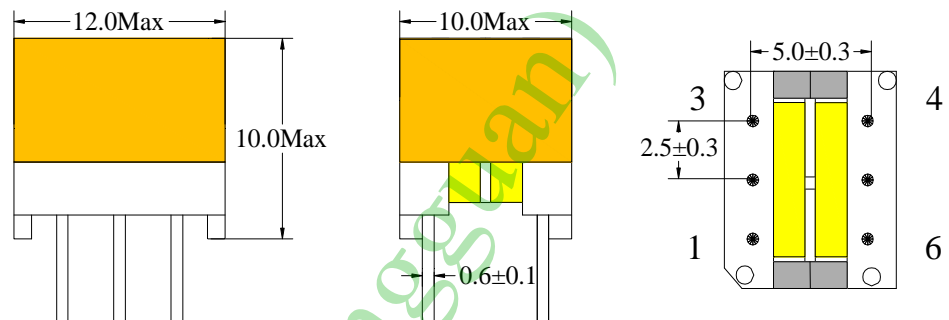
- Shape:EP7
- 1 Power:4.2W
- 2 Mounting Orientation: Horizontal
- 3 Size: 10.5(W) * 10.5(L) * 9.5(H)
- 4 Effective Ae (mm²): 10.0



EP7 Type 2

Information:

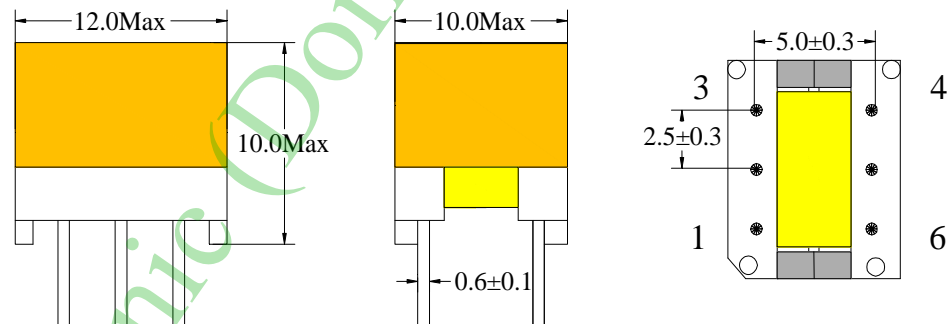
- Shape:EP7
- 1 Power:4.2W
- 2 Mounting Orientation: Horizontal
- 3 Size: 12(W) * 10(L) * 10(H)
- 4 Effective Ae (mm²): 10.0



EP7 Type 3

Information:

- Shape:EP7
- 1 Power:4.2W
- 2 Mounting Orientation: Horizontal
- 3 Size: 12(W) * 10(L) * 10(H)
- 4 Effective Ae (mm²): 10.0



Note:

Bobbin type listed in the traditional style, transformer design parameters to customer needs or to inject prevail.

EP series high-frequency transformer features:

With magnetic shielding effect, distributed capacitance, transmission attenuation low, high inductance, leakage inductance is small, the magnetic field distribution, etc., and a skeleton with multi-way connector, easy to design multi-output transformer.

Uses:

Broadband transformers, inductors, isolation transformers, matching transformers are widely used in PBX terminal and sophisticated electronic devices.